

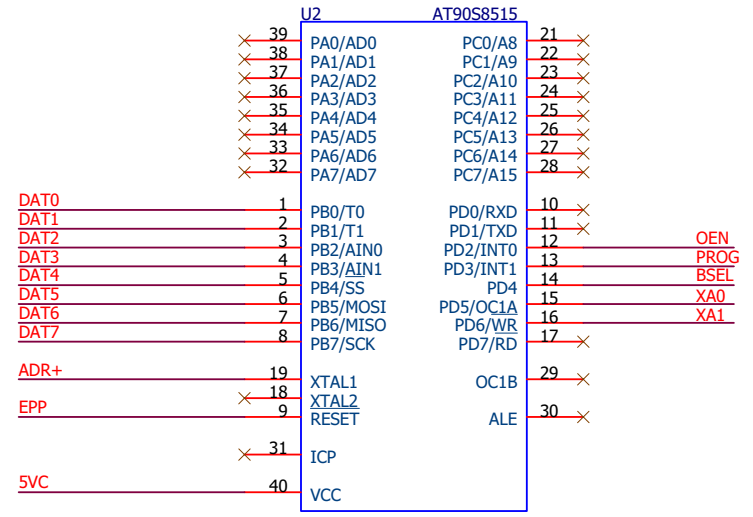
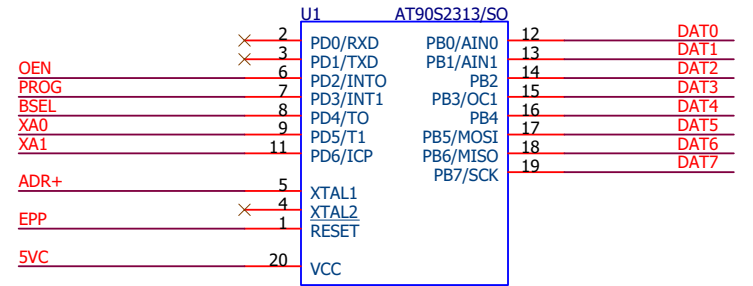
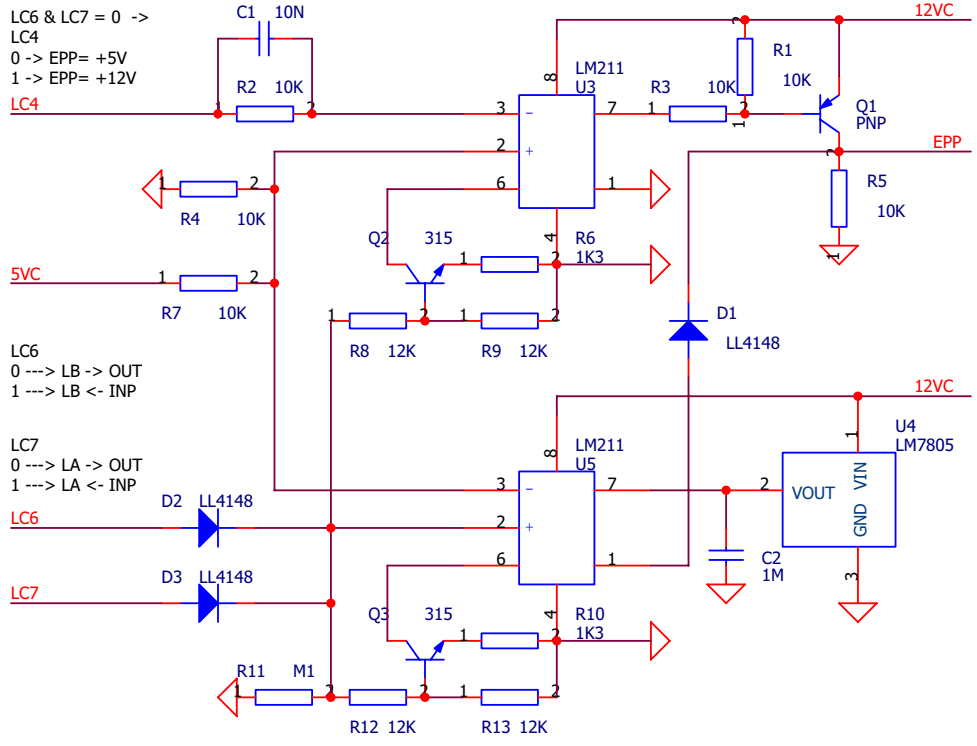
LC5  
0 ---> LD -> OUT  
1 ---> LD <- INP

LC6 & LC7 <> 0 ->  
EPP = 0V

LC6 & LC7 = 0 ->  
0 -> EPP = +5V  
1 -> EPP = +12V

LC6  
0 ---> LB -> OUT  
1 ---> LB <- INP

LC7  
0 ---> LA -> OUT  
1 ---> LA <- INP



Title		
iTT Ltd Research		
Size	Document Number	Rev
A4	AT90 PROG	1.1
Date:	Wednesday, January 15, 2003	Sheet 1 of 3